



SePar Hex LED RGBAW UV IR

LED PAR

Thomann GmbH  
Hans-Thomann-Straße 1  
96138 Burgebrach  
Germany  
Telephone: +49 (0) 9546 9223-0  
Internet: [www.thomann.de](http://www.thomann.de)

01.12.2022, ID: 440827 (V3)

# Table of contents

<b>1</b>	<b>General information</b> .....	<b>6</b>
	1.1 Further information.....	7
	1.2 Notational conventions.....	7
	1.3 Symbols and signal words.....	8
<b>2</b>	<b>Safety instructions</b> .....	<b>11</b>
<b>3</b>	<b>Features</b> .....	<b>15</b>
<b>4</b>	<b>Installation</b> .....	<b>16</b>
<b>5</b>	<b>Starting up</b> .....	<b>20</b>
<b>6</b>	<b>Connections and controls</b> .....	<b>22</b>
<b>7</b>	<b>Operating</b> .....	<b>27</b>
	7.1 Starting the device.....	27
	7.2 Remote control.....	27
	7.3 Operating controls on the device.....	29
	7.4 Menu overview.....	37
	7.5 Functions in 6-channel DMX mode.....	38
	7.6 Functions in 8-channel DMX mode.....	38
	7.7 Functions in 10-channel DMX mode.....	39
<b>8</b>	<b>Technical specifications</b> .....	<b>43</b>

<b>9</b>	<b>Plug and connection assignments</b> .....	<b>45</b>
<b>10</b>	<b>Troubleshooting</b> .....	<b>46</b>
<b>11</b>	<b>Cleaning</b> .....	<b>49</b>
<b>12</b>	<b>Protecting the environment</b> .....	<b>50</b>



# 1 General information

This user manual contains important information on the safe operation of the device. Read and follow all safety notes and all instructions. Save this manual for future reference. Make sure that it is available to all persons using this device. If you sell the device to another user, be sure that they also receive this manual.

Our products and user manuals are subject to a process of continuous development. We therefore reserve the right to make changes without notice. Please refer to the latest version of the user manual which is ready for download under [www.thomann.de](http://www.thomann.de).

## 1.1 Further information

On our website ([www.thomann.de](http://www.thomann.de)) you will find lots of further information and details on the following points:

Download	This manual is also available as PDF file for you to download.
Keyword search	Use the search function in the electronic version to find the topics of interest for you quickly.
Online guides	Our online guides provide detailed information on technical basics and terms.
Personal consultation	For personal consultation please contact our technical hotline.
Service	If you have any problems with the device the customer service will gladly assist you.

## 1.2 Notational conventions

This manual uses the following notational conventions:

### Letterings

The letterings for connectors and controls are marked by square brackets and italics.

**Examples:** *[VOLUME]* control, *[Mono]* button.

### Displays




Texts and values displayed on the device are marked by quotation marks and italics.

**Examples:** *'24ch'*, *'OFF'*.

### Instructions




The individual steps of an instruction are numbered consecutively. The result of a step is indented and highlighted by an arrow.


**Example:**

- 1.**  Switch on the device.
- 2.**  Press *[Auto]*.
  - ⇒ Automatic operation is started.
- 3.**  Switch off the device.

## 1.3 Symbols and signal words

In this section you will find an overview of the meaning of symbols and signal words that are used in this manual.

Signal word	Meaning
<b>DANGER!</b>	This combination of symbol and signal word indicates an immediate dangerous situation that will result in death or serious injury if it is not avoided.
<b>WARNING!</b>	This combination of symbol and signal word indicates a possible dangerous situation that can result in death or serious injury if it is not avoided.
<b>NOTICE!</b>	This combination of symbol and signal word indicates a possible dangerous situation that can result in material and environmental damage if it is not avoided.
Warning signs	Type of danger
	Warning – high-voltage.
	Warning – dangerous optical radiation.
	Warning – suspended load.

Warning signs	Type of danger
	Warning – danger zone.

## 2 Safety instructions

### Intended use

This device is intended for use as an electronic lighting effect by means of LED technology. The device is designed for professional use only and is not suitable for use in households. Use the device only as described in this user manual. Any other use or use under other operating conditions is considered to be improper and may result in personal injury or property damage. No liability will be assumed for damages resulting from improper use.

This device may be used only by persons with sufficient physical, sensorial, and intellectual abilities and having corresponding knowledge and experience. Other persons may use this device only if they are supervised or instructed by a person who is responsible for their safety.



*Extend the operating life of the device by regular breaks and by avoiding frequent switching on and off. The device is not suitable for continuous operation.*

### Safety



#### **DANGER!**

#### **Danger for children**

Ensure that plastic bags, packaging, etc. are disposed of properly and are not within reach of babies and young children. Choking hazard! Ensure that children do not detach any small parts (e.g. knobs or the like) from the unit. They could swallow the pieces and choke! Never let children unattended use electrical devices.



**DANGER!**

**Electric shock caused by high voltages inside**

Within the device there are areas where high voltages may be present. Never remove any covers. There are no user-serviceable parts inside. Do not use the device if covers, protectors or optical components are missing or damaged.



**DANGER!**

**Electric shock caused by short-circuit**

Always use proper ready-made insulated mains cabling (power cord) with a protective contact plug. Do not modify the mains cable or the plug. Failure to do so could result in electric shock/death or fire. If in doubt, seek advice from a registered electrician.



**WARNING!**

**Eye damage caused by high light intensity**

Never look directly into the light source.



**WARNING!**

**Risk of epileptic shock**

Strobe lighting can trigger seizures in photosensitive epilepsy. Sensitive persons should avoid looking at strobe lights.



**NOTICE!**

**Risk of fire**

Do not block areas of ventilation. Do not install the device near any direct heat source. Keep the device away from naked flames.

**NOTICE!****Operating conditions**

This device has been designed for indoor use only. To prevent damage, never expose the device to any liquid or moisture. Avoid direct sunlight, heavy dirt, and strong vibrations. Only operate the device within the ambient conditions specified in the chapter 'Technical specifications' of this user manual. Avoid heavy temperature fluctuations and do not switch the device on immediately after it was exposed to temperature fluctuations (for example after transport at low outside temperatures). Dust and dirt inside can damage the unit. When operated in harmful ambient conditions (dust, smoke, nicotine, fog, etc.), the unit should be maintained by qualified service personnel at regular intervals to prevent overheating and other malfunction.

**NOTICE!****Power supply**

Before connecting the device, ensure that the input voltage (AC outlet) matches the voltage rating of the device and that the AC outlet is protected by a residual current circuit breaker. Failure to do so could result in damage to the device and possibly injure the user. Unplug the device before electrical storms occur and when it is unused for long periods of time to reduce the risk of electric shock or fire.

**NOTICE!****Fire hazard due to exceedance of the maximum current**

The device can power other devices of identical construction. The current consumption of all other devices connected in series must not exceed the values indicated in the technical specifications. Otherwise you risk injuries and irreparable damages to the device. Only connect so many identical devices that the maximum current consumption is not exceeded. Ensure the sufficient dimensioning (wire cross section) of the power cables used for all devices connected in series.

**NOTICE!****Possible damage due to installation of a wrong fuse**

The use of different types of fuses can cause serious damage to the unit. Fire hazard! Only fuses of the same type may be used.



**NOTICE!**

**Possible staining**



The plasticiser contained in the rubber feet of this product may possibly react with the coating of your surface and after some time cause permanent dark stains. In case of doubt, do not put the rubber feet directly on the surface and use a suitable underlay if necessary, i.e. felt pads or similar.



**NOTICE!**

**Risk of fire due to incorrect polarity**



Incorrectly inserted batteries may destroy the device or the batteries. Ensure that proper polarity is observed when inserting batteries.



**NOTICE!**

**Possible damage by leaking batteries**



Leaking batteries can cause permanent damage to the device. Take batteries out of the device if it is not going to be used for a longer period.

### 3 Features

Special features of the device:

- 5 × 8 watt 6-in-1 LEDs red, green, blue, amber, white and UV
- Stand-alone, master-slave or DMX mode operation
- Operation via buttons and display on the unit or via an optionally available infrared remote control (item # 354223)
- Sound control via built-in microphone
- Universal two-piece mounting bracket for hanging or standing installation
- Suitable for use in clubs, bars, stages, exhibitions, etc.

For technological reasons, the light output of LEDs decreases over their lifetime. This effect increases with higher operating temperature. You can extend the service life of the illuminants by providing adequate ventilation and operating the LEDs with the lowest possible brightness.

## 4 Installation

Unpack and check carefully there is no transportation damage before using the unit. Keep the equipment packaging. To fully protect the product against vibration, dust and moisture during transportation or storage use the original packaging or your own packaging material suitable for transport or storage, respectively.



### **WARNING!**

#### **Risk of injury caused by falling objects**

Make sure that the installation complies with the standards and rules that apply in your country. Always secure the device with a secondary safety attachment, such as a safety cable or a safety chain.



### **NOTICE!**

#### **Risk of overheating**

The distance between light output and the illuminated surface must be more than 1.5 m (19.7in).

Provide sufficient ventilation.

The ambient temperature must always be below 40 °C (104 °F).

**NOTICE!****Use of stands**

When mounting the device onto a stand, ensure that the stand is in a safe and stable position and that the weight of the device does not exceed the maximum permissible load capacity of the stand.

**NOTICE!****Possible data transmission errors**

For error-free operation make use of dedicated DMX cables and do not use ordinary microphone cables.

Never connect the DMX input or output to audio devices such as mixers or amplifiers.

**Mounting options**

You can install the device in hanging or standing position. When in use, the device must always be attached to a solid surface or an approved truss. Use the openings provided on the two-piece bracket for attaching.

Always work from a stable platform whenever installing, moving or servicing the device. In doing so, the area underneath the device must be cordoned off.

The safety cable must be attached to the bracket.

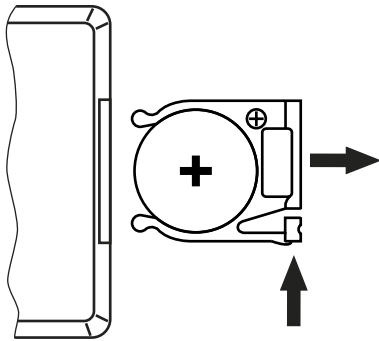
### **DMX indicator**

If the unit is in DMX mode and a DMX controller is connected and turned on, a dot on the fourth digit of the display will flash. If the unit is in DMX mode, but without a turned on DMX controller connected, the display will flash.



*Please note that this device must not be connected to a dimmer.*

### Inserting the battery into the remote control



Press the lock of the battery holder to the centre of the housing and pull out the battery holder like a drawer. Insert the battery. The battery is correct if the positive pole points to the housing base of the remote control. Slide the battery holder back into the remote until it clicks into place.

When shipping, the battery is already installed in the remote and protected against discharge by a transparent plastic foil. Remove the plastic foil prior to first use.



#### **NOTICE!**

##### **Risk of fire due to incorrect polarity**

Incorrectly inserted batteries may destroy the device or the batteries.

Ensure that proper polarity is observed when inserting batteries.



#### **NOTICE!**

##### **Possible damage by leaking batteries**

Leaking batteries can cause permanent damage to the device.

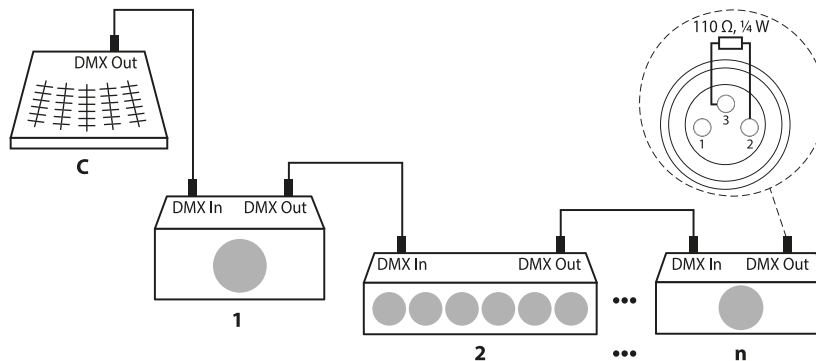
Take batteries out of the device if it is not going to be used for a longer period.

## 5 Starting up

Create all connections while the device is off. Use the shortest possible high-quality cables for all connections. Take care when running the cables to prevent tripping hazards.

### Connections in DMX mode

Connect the DMX input of the device to the DMX output of a DMX controller or another DMX device. Connect the output of the first DMX device to the input of the second one, and so on to form a daisy chain. Always ensure that the output of the last DMX device in the daisy chain is terminated with a resistor ( $110\ \Omega$ ,  $\frac{1}{4}\text{ W}$ ).



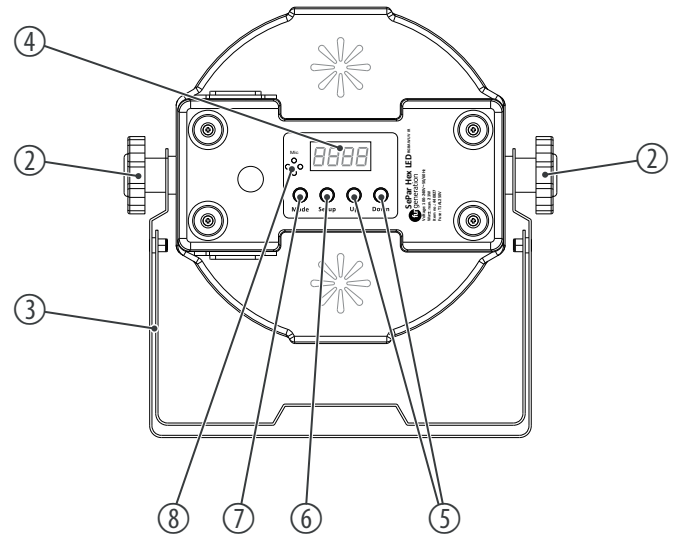
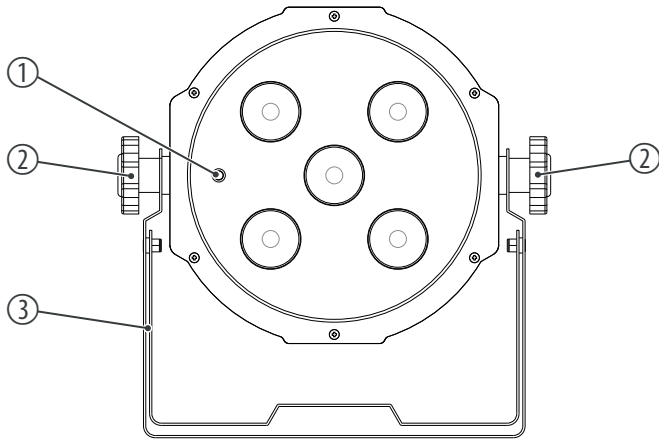
---

**Connections in master/slave mode**

When you configure a group of devices in master/slave mode, the first unit will control the other units for an automatic, sound-activated, synchronized show. This function is ideal when you want to start a show immediately. Connect the DMX output of the master device to the DMX input of the first slave device. Then connect the DMX output of the first slave device to the DMX input of the second slave device and so on.

## 6 Connections and controls

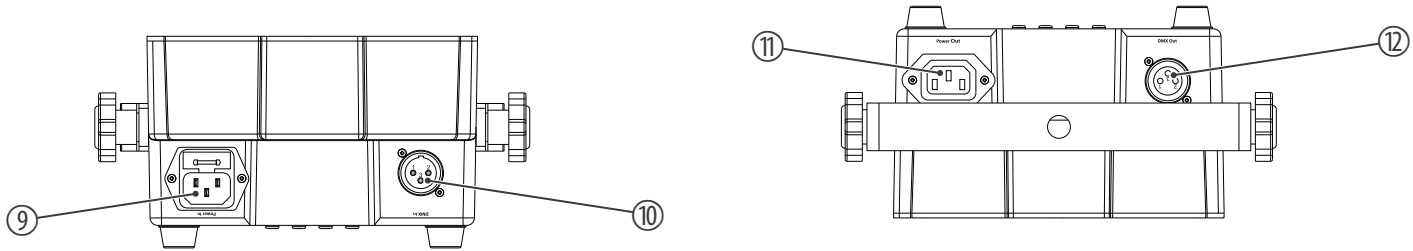
### Front and rear side



---

1	Infrared sensor for receiving remote control signals
2	Locking screws for the bracket
3	Two-piece bracket for hanging or installation and for securing the safety cable
4	Display
5	<i>[Up]</i> / <i>[Down]</i>   increase / decrease the displayed value by one.
6	<i>[Setup]</i>   confirms a selected value.
7	<i>[Mode]</i>   calls the main menu or a submenu.
8	Microphone for sound control

### Top / bottom view

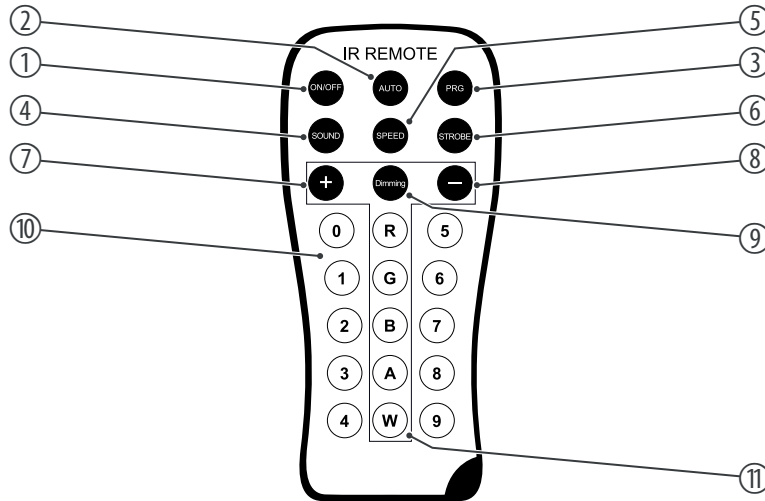


- |    |  |
|----|--|
| 9  | <i>[Power In]</i>   IEC chassis plug for power supply with fuse holder. Connect the device to a grounded power outlet using the supplied power cord. |
| 10 | <i>[DMX In]</i>   DMX input  |
| 11 | <i>[Power Out]</i>   IEC chassis socket for the power supply of further devices  |
| 12 | <i>[DMX Out]</i>   DMX output  |

**Infrared remote control (item no. 354223, optionally available)**



*Since the universal remote control can be used for several device types, some buttons may not be assigned and therefore have no function.*



1	<i>[ON/OFF]</i>   turns the device on and off.
2	<i>[AUTO]</i>   activates the 'Automatic' mode.
3	<i>[PRG]</i>   activates the operating mode 'Preprogrammed automatic show'. Select the desired programme with <i>[+]</i> and <i>[-]</i> .
4	<i>[SOUND]</i>   activates the 'Sound-control' mode. Set the sensitivity of the built-in microphone with <i>[+]</i> and <i>[-]</i> .
5	<i>[SPEED]</i>   activates the setting mode for the programme speed. Adjust the speed using <i>[+]</i> and <i>[-]</i> .
6	<i>[STROBE]</i>   activates the setting mode for the Strobe speed. Adjust the speed using <i>[+]</i> and <i>[-]</i> .
7	<i>[+]</i>   increases the set value.
8	<i>[-]</i>   decreases the set value.
9	<i>[Dimming]</i>   activates the dimming function for fixed colours. Set the value for each fixed colour using <i>[+]</i> and <i>[-]</i> .
10	<i>[0 ... 9]</i>   numeric buttons for direct selection of a fixed colour.
11	<i>[R], [G], [B], [A], [W]</i>   buttons to select the colour shade in dimmer mode.

## 7 Operating

### 7.1 Starting the device

Connect the device to the power supply to start operation. After a few seconds the unit is ready for use.

### 7.2 Remote control

The device can only be remote controlled if it's neither working in a Master / Slave configuration nor DMX-controlled.

#### Blackout

➔ Use *[ON/OFF]* to blackout the unit or cancel the blackout.

#### Auto mode

➔ Press *[AUTO]*. The unit now operates in automatic stand-alone mode.

### Programme mode

1. ➤ Press *[PRG]*. Use *[+]* and *[-]* to select a value between 'Pr.01' and 'Pr.16'.
2. ➤ Press *[STROBE]* and then use *[+]* and *[-]* to select a value between 'FS.00' (slow) and 'FS.99' (fast). Press *[STROBE]* again to disable the Strobe effect.
3. ➤ Press *[SPEED]* and then use *[+]* and *[-]* to select a value between 'SP.01' (slow) and 'SP.FL' (fast) to set the running speed of the programmes.

### Sound control

1. ➤ Press *[SOUND]*. This activates a sound controlled automatic show.
2. ➤ Use *[+]* and *[-]* to adjust the sensitivity for the sound control in a range from 'SU.00' to 'SU.31'.

### Dimming

1. ➤ Press *[Dimming]* to adjust the brightness of the primary colours.
2. ➤ Press *[R]* (red), *[G]* (green): *[B]* (blue), *[A]* (amber), *[W]* (white) or *[1]* (UV) and then use *[+]* and *[-]* to select a value between 0 and 255.

**Colour selection**

Use the coloured buttons to select a colour tone in any mode. The following assignment applies:

Button	Colour	Button	Colour	Button	Colour
0	Cyan	5	Magenta	R	Red
1	Purple	6	Light green	G	Green
2	Pink	7	Bright blue	B	Blue
3	Yellow	8	Brown	A	Amber
4	White	9	Warm white	W	White

**Reset to factory defaults**

To reset the device to factory default settings, press *[ON/OFF]* to blackout the unit and then simultaneously *[9]*, *[8]* and *[7]*.

**7.3 Operating controls on the device**

1. ➤ Press *[Mode]* to activate the main menu.
2. ➤ Press again *[Mode]* to call up further menu items.
3. ➤ To activate the respectively shown menu item, press *[Setup]*.

4. ➤ Use [*Up*] and [*Down*] to change the respectively indicated value. Changed values and settings will immediately take effect.
5. ➤ With [*Mode*] you return to the previous menu level.

If you do not press any key for about 15 seconds, the display will turn off. The set values are retained even when the device is disconnected from the mains power supply.

### Auto mode

- Press [*Mode*] repeatedly until the display shows 'AUTO'.
  - ⇒ The unit now operates in automatic stand-alone mode.

Automatic operation can only be activated when the unit is operating in stand alone mode or as master in a master / slave combination. This setting is only relevant if the device is not controlled via DMX.

## Programme mode

1. ▶ Press *[Mode]* or *[Up]* | *[Down]* repeatedly until the display shows 'Pro'. Press *[Setup]* to then select with *[Up]* | *[Down]* one of the programmes 'Pr01' to 'Pr.28'.
2. ▶ If you select 'Pr.01' press *[Setup]* and then use *[Up]* | *[Down]* to call up 16 programmed colour patterns that are constantly lighting. Or you select '-OFF' to blackout the unit. Press *[Setup]* to then adjust with *[Up]* | *[Down]* the strobe frequency between 'FS.01' (slow) and 'FS.99' (fast). Select 'FS.00' for constant light.
3. ▶ Programmes 'Pr.02' to 'Pr.16' offer preprogrammed colour sequences. After selecting one of these programmes, press *[Setup]* to then select with *[Up]* | *[Down]* the speed of the colour sequences from 'SP.01' (slow) to 'SP.FL' (fast). Press *[Setup]* to then adjust with *[Up]* | *[Down]* the strobe frequency from 'FS.00' (slow) and 'FS.99' (fast).

### Colour mode

1. ➤ Press *[Mode]* or *[Up]* | *[Down]* repeatedly until the display shows 'CLor'. All LEDs light with full intensity.
2. ➤ Press *[Setup]* to then select with *[Up]* | *[Down]* the intensity of the red colour between 'r.000' (off) and 'r.255' (full).
3. ➤ Press *[Setup]* to then select with *[Up]* | *[Down]* the intensity of the green colour between 'g.000' (off) and 'g.255' (full).
4. ➤ Press *[Setup]* to then select with *[Up]* | *[Down]* the intensity of the blue colour between 'b.000' (off) and 'b.255' (full).
5. ➤ Press *[Setup]* to then select with *[Up]* | *[Down]* the intensity of the white colour between 'u.000' (off) and 'u.255' (full).
6. ➤ Press *[Setup]* to then select with *[Up]* | *[Down]* the intensity of the amber colour between 'A.000' (off) and 'A.255' (full).
7. ➤ Press *[Setup]* to then select with *[Up]* | *[Down]* the intensity of the UV colour between 'P.000' (off) and 'P.255' (full).
8. ➤ Press *[Setup]* to then adjust with *[Up]* | *[Down]* the strobe frequency from 'FS.00' (slow) and 'FS.99' (fast).

A constant colour can only be activated when the unit is operating in stand-alone mode or as master in a master / slave combination. This setting is only relevant if the device is not controlled via DMX.

## Sound control

1. ➤ The device shows a sound-controlled colour sequence. Press *[Setup]* to then perform with *[Up]* | *[Down]* the colour setting between 'S0.01' and 'S0.16'.
2. ➤ Press *[Setup]* to adjust the sensitivity of the built-in microphone for sound control between 'SU.00' (low) and 'SU.31' (high).

## DMX address

1. ➤ Press *[Mode]* or *[Up]* | *[Down]* repeatedly until the display shows 'd---'.
2. ➤ Press *[Setup]* to then select with *[Up]* | *[Down]* the desired DMX address between 1 and 512 (the display shows 'd.001' 'd.512'). Make sure that this number matches the configuration of your DMX controller.

This setting is only relevant when the device is controlled via DMX.

3. ➤ Press *[Setup]* to then select with *[Up]* | *[Down]* the DMX mode (6, 8 or 10 channels).

## Slave mode

- Press *[Mode]* or *[Up]* | *[Down]* repeatedly until the display shows 'SLAV'.

The device is now working in slave mode, i.e. it will exactly copy the movement of the controlling master device, correct wiring provided.

This setting is only relevant if the device is not controlled via DMX.

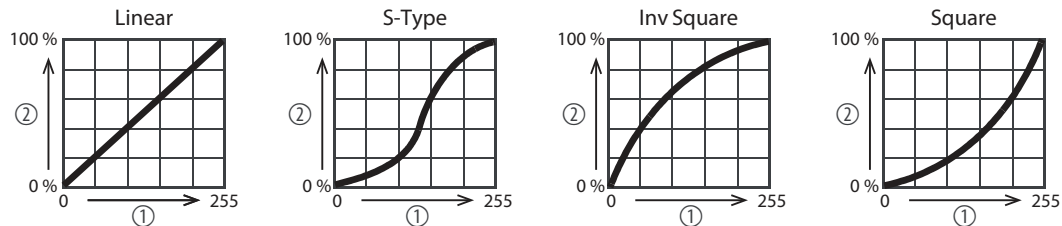
## Dimmer curve

1. ➤ Press *[Mode]* or *[Up]* | *[Down]* repeatedly until the display shows 'Set' and confirm with *[Setup]*.
2. ➤ Use *[Up]* and *[Down]* to select the menu item 'Cur' and confirm with *[Setup]*.
3. ➤ With *[Up]* and *[Down]* you can select one of the following dimmer curves. The dimmer curve determines how the brightness increases or decreases depending on the set DMX value.

Display	Meaning
'Cu-1'	Linear (proportional) course
'Cu-2'	Non-linear curve with a distinctive flat profile at the beginning and end
'Cu-3'	Inverted quadratic curve with a steep profile at the beginning and flat profile at the end
'Cu-4'	Inverted square curve with a steep profile at the beginning and flat profile at the end

The below figure schematically shows the adjustable dimmer curves. Depending on the selected DMX value (1) the device lights with a brightness (2) between 0% and 100%. Confirm the selection with 'Setup'. Press *[Mode]*.

⇒ The selection is applied.



## Reset

1. ➤ Press *[Mode]* or *[Up]* | *[Down]* repeatedly until the display shows 'Set' and confirm with *[Setup]*.
2. ➤ Use *[Up]* and *[Down]* to select the menu item 'rSt' and confirm with *[Setup]*.
3. ➤ With *[Up]* and *[Down]* you can choose between 'Yes' (perform reset) and 'No' (no reset). Select 'Yes'.

Confirm the selection with 'Setup'.

⇒ The device is reset to the default settings.

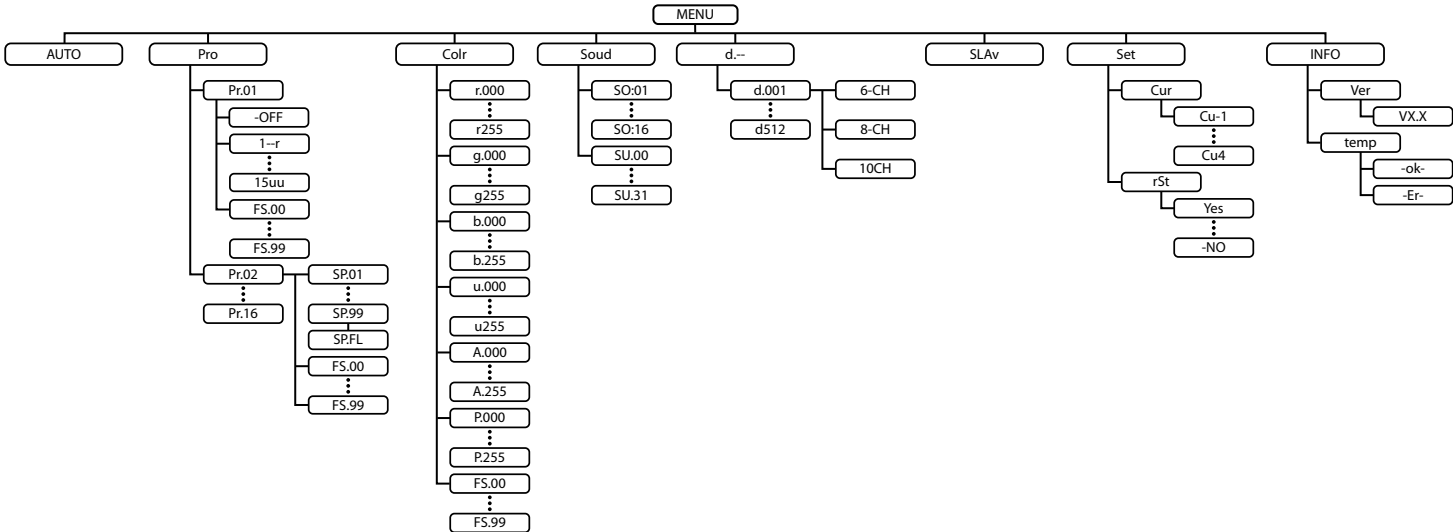
## Software version

1. ▶ Press *[Mode]*, use *[Up]* and *[Down]* to select the menu item 'INFO' and confirm with *[Setup]*.
2. ▶ Use *[Up]* and *[Down]* to select the menu item 'Ver' and confirm with *[Setup]*.
  - ⇒ The display shows the current software version used by the device.
3. ▶ Press *[Mode]*.
  - ⇒ The menu is closed.

## Device temperature

1. ▶ Press *[Mode]*, use *[Up]* and *[Down]* to select the menu item 'INFO' and confirm with *[Setup]*.
2. ▶ Use *[Up]* and *[Down]* to select the menu item 'temp' and confirm with *[Setup]*.
  - ⇒ The display shows whether the unit's temperature is within the normal range (display is '-ok-'), or whether it is too high (display is '-Er-').
3. ▶ Press *[Mode]*.
  - ⇒ The menu is closed.

### 7.4 Menu overview



## 7.5 Functions in 6-channel DMX mode

Channel	Value	Function
1	0...255	Intensity Red (0 % to 100 %)
2	0...255	Intensity Green (0 % to 100 %)
3	0...255	Intensity Blue (0 % to 100 %)
4	0...255	Intensity white (0 % to 100 %)
5	0...255	Intensity amber (0 % to 100 %)
6	0...255	Intensity UV (0 % to 100 %)

## 7.6 Functions in 8-channel DMX mode

Channel	Value	Function
1	0...255	Dimmer (0 % to 100 %)
2	0...255	Intensity Red (0 % to 100 %)
3	0...255	Intensity Green (0 % to 100 %)
4	0...255	Intensity Blue (0 % to 100 %)

Channel	Value	Function
5	0...255	Intensity white (0 % to 100 %)
6	0...255	Intensity amber (0 % to 100 %)
7	0...255	Intensity UV (0 % to 100 %)
8	0...255	Strobe effect, increasing speed

## 7.7 Functions in 10-channel DMX mode

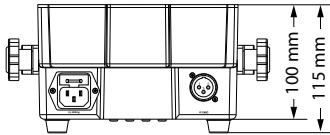
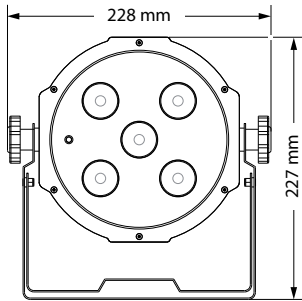
Channel	Value	Function
1	0...255	Dimmer (0 % to 100 %)
2	0...255	Intensity Red (0 % to 100 %)
3	0...255	Intensity Green (0 % to 100 %)
4	0...255	Intensity Blue (0 % to 100 %)
5	0...255	Intensity white (0 % to 100 %)
6	0...255	Intensity amber (0 % to 100 %)
7	0...255	Intensity UV (0 % to 100 %)

Channel	Value	Function
8	Programme selection	
	0	No function
	1...14	Automatic show 01
	15...29	Automatic show 02
	30...44	Automatic show 03
	45...59	Automatic show 04
	60...74	Automatic show 05
	75...89	Automatic show 06
	90...104	Automatic show 07
	105...119	Automatic show 08
	120...134	Automatic show 09
	135...149	Automatic show 10
	150...164	Automatic show 11
	165...179	Automatic show 12
	180...194	Automatic show 13
195...209	Automatic show 14	

Channel	Value	Function
	210...224	Automatic show 15
	225...239	Automatic show 16
	240...255	Sound control
9	Programme selection, if channel 8 = 1 ... 14	
	0...14	LEDs off (blackout)
	15...29	Red
	30...44	Green
	45...59	Blue
	60...74	White
	75...89	Amber
	90...104	R(0), G(0), B(0), W(0), A(0), UV(255)
	105...119	R(255), G(0), B(0), W(0), A(255), UV(0)
	120...134	R(255), G(220), B(0), W(0), A(0), UV(0)
	135...149	R(255), G(0), B(80), W(0), A(0), UV(255)
	150...164	R(255), G(0), B(70), W(0), A(0), UV(70)
	165...179	R(0), G(255), B(255), W(0), A(0), UV(0)

Channel	Value	Function
	180...194	R(255), G(0), B(0), W(170), A(0), UV(0)
	195...209	R(0), G(255), B(0), W(170), A(0), UV(0)
	210...224	R(0), G(0), B(255), W(170), A(0), UV(0)
	225...239	R(255), G(180), B(0), W(130), A(255), UV(0)
	240...255	R(255), G(255), B(255), W(255), A(255), UV(255)
	0...255	Running speed increasing, if channel 8 = 15...239
	0...255	Sensitivity of the built-in microphone for the sound control, if channel 8 = 240...255
10	0...255	Strobe effect, increasing speed

## 8 Technical specifications



Light source		5 × 6in1 LED, 8 W (red, green, blue, amber, white, UV)
Optical properties	Beam angle	20 °
	Dimmer	0...100 %
Control	DMX, IR remote control (optional)	
Number of DMX channels		6, 8, 10
Input connections	Power supply	IEC chassis plug C14
	DMX control	XLR chassis socket, 3-pin
Output connections	Power supply	IEC chassis socket C13
	DMX control	XLR chassis socket, 3-pin
Power consumption		21 W
Supply voltage		100 - 240 V ~ 50/60 Hz
Battery remote control		Lithium button cell CR 2025, 3 V
Fuse		5 mm × 20 mm, 1 A, 250 V, slow-blow

Degree of protection		IP20
Mounting options		Hanging, standing
Dimensions (W × H × D), with bracket		228 mm × 227 mm × 115 mm
Weight		1.1 kg
Ambient conditions	Temperature range	0 °C...40 °C
	Relative humidity	20 %...80 % (non-condensing)

### Further information

Design	Flat PAR
Colour mixture	RGBAWUV
LED type	x-in-1
Base housing	yes
Fanless	yes
Remote control	optional
Wireless DMX	no
Housing colour	black

## 9 Plug and connection assignments

### Introduction

This chapter will help you select the right cables and plugs to connect your valuable equipment so that a perfect light experience is guaranteed.

Please take our tips, because especially in 'Sound & Light' caution is indicated: Even if a plug fits into a socket, the result of an incorrect connection may be a destroyed DMX controller, a short circuit or 'just' a not working light show!

### DMX connections

The unit offers a 3-pin XLR socket for DMX output and a 3-pin XLR plug for DMX input. Please refer to the drawing and table below for the pin assignment of a suitable XLR plug.



Pin	Configuration
1	Ground, shielding
2	Signal inverted (DMX-, 'cold signal')
3	Signal (DMX+, 'hot signal')

## 10 Troubleshooting



### **NOTICE!**

#### **Possible data transmission errors**

For error-free operation make use of dedicated DMX cables and do not use ordinary microphone cables.

Never connect the DMX input or output to audio devices such as mixers or amplifiers.

In the following we list a few common problems that may occur during operation. We give you some suggestions for easy troubleshooting:

Symptom	Remedy
The unit does not work, no light, the display is dark	Check the mains connection and the main fuse.
Apparently no function despite proper power supply	Check if the unit is in DMX mode or in 'slave' mode. If so, check the device into a different mode.
No response to the DMX controller	<ol style="list-style-type: none"> <li data-bbox="879 385 1525 519">1. If the unit is in DMX mode and the display flashes, no DMX signal is received. Check that the DMX controller is switched on. Check the DMX connectors and cables for proper connection.</li> <li data-bbox="879 519 1525 715">2. If the unit is in DMX mode and a DMX controller is connected and turned on, a dot on the fourth digit of the display will flash. If it doesn't, no valid DMX signal is received. Check that the DMX controller is switched on. Check the DMX connectors and cables for proper connection.</li> <li data-bbox="879 715 1525 827">3. If the display dot is flashing but there is still no response, check the address settings and the DMX polarity.</li> <li data-bbox="879 827 1525 878">4. Try using another DMX controller.</li> <li data-bbox="879 878 1525 973">5. Check to see if the DMX cables run near or alongside to high voltage cables that may cause damage or interference to DMX interface circuits.</li> </ol>

If the procedures recommended above do not succeed, please contact our Service Center. You can find the contact information at [www.thomann.de](http://www.thomann.de).

# 11 Cleaning

## Optical lenses

Clean the optical lenses, that are accessible from the outside, regularly in order to optimize the light output. The frequency of cleaning depends on the operating environment: wet, smoky or particularly dirty surroundings can cause more accumulation of dirt on the optics of the device.

- Clean with a soft cloth using our lamp and lens cleaner (item no. 280122).
- Always dry the parts carefully.

## Fan grids

The fan grids of the device must be cleaned of any contamination, such as dust, etc. on a regular basis. Before cleaning, switch off the device and disconnect mains-operated devices from the mains. Only use pH-neutral, solvent-free and non-abrasive cleaning agents. Clean the unit with a slightly damp lint-free cloth.

## 12 Protecting the environment

### Disposal of the packaging material



For the packaging, environmentally friendly materials have been chosen that can be supplied to normal recycling.

Ensure that plastic bags, packaging, etc. are properly disposed of.

Do not just dispose of these materials with your normal household waste, but make sure that they are collected for recycling. Please follow the notes and markings on the packaging.

### Disposal of batteries



Batteries must not be thrown away or incinerated; they must be disposed of in accordance with local regulations for the disposal of hazardous waste. Use the existing collection points for this.

Only dispose of lithium batteries when they are discharged. Remove replaceable lithium batteries from the device before disposal. Protect used lithium batteries against short circuits, for example by covering the poles with adhesive tape. Permanently built-in lithium batteries must be disposed of together with the device. Please inquire about an appropriate collection point.

**Disposal of your old device**



This product is subject to the European Waste Electrical and Electronic Equipment Directive (WEEE) in its currently valid version. Do not dispose with your normal household waste.

Dispose of this device through an approved waste disposal firm or through your local waste facility. When discarding the device, comply with the rules and regulations that apply in your country. If in doubt, consult your local waste disposal facility.









